



FARR[®]400
ONE DESIGN

www.farr400.com • sales@farr400.com

The Next Generation, All Carbon, One Design Racer.

Unrivalled Performance

GRAND PRIX Performance

The **FARR 400** is an all new, all carbon, 40ft racing yacht that combines Grand Prix level performance with innovative design details that allow for easy, cost effective transportation anywhere in the world.

The **FARR 400** was specifically designed with 3 main objectives in mind:

- *Unrivalled performance that is synonymous with the Farr brand - the most successful offshore One Design office in the world.*
- *The availability of next generation, grand prix style racing.*
- *A boat with no performance compromises that can be easily shipped around the world on a 40' flat rack container meaning substantial cost savings.*

Designed by Farr Yacht Design, the worlds most successful racing yacht design team, and crafted by **Premier Composite Technologies (PCT)**, the **FARR 400** is designed and built to the highest standards utilizing the latest advanced composite materials and building techniques delivering a consistent one design product.

A Premier Racing Yacht for Premier Sailors....



Next Generation Sailing

Designer's Comments

"The asymmetric deck layout follows modern Grand Prix race boat practice for high efficiency and fast manoeuvres. A primary grinder pedestal system allows for high speed spinnaker gybes, sail hoists and string line spinnaker drops. These efficiencies combined with the high stability hull form and ballast package allow the boat to be raced successfully with an intended crew of 8.

Construction utilises the latest materials and techniques to maximize performance within reasonable ownership costs, including infused carbon fibre hull and deck. The composite sheathed metal fin keel with lead bulb is retractable from its high performance 2.9m sailing draft to 1.98m to improve harbor access and docking and is easily removed for transportation. The steering system and carbon rudder have been designed to accommodate both tiller and twin wheel steering". Farr Yacht Design.



www.farr400.com • sales@farr400.com

LEWMAR Carbon Primaries and Pedestal Racing Winch **1**

Jefa Rudder SYSTEMS Jefa Racing Bearing system (self-aligning) **2**

VOLVO PENTA Volvo D1 30 With Saildrive **3**

Element C6 Element C6 Carbon Rigging **4**

BSI BSI Turnbuckles **5**

LEWMAR High Performance Deck Gear **6**

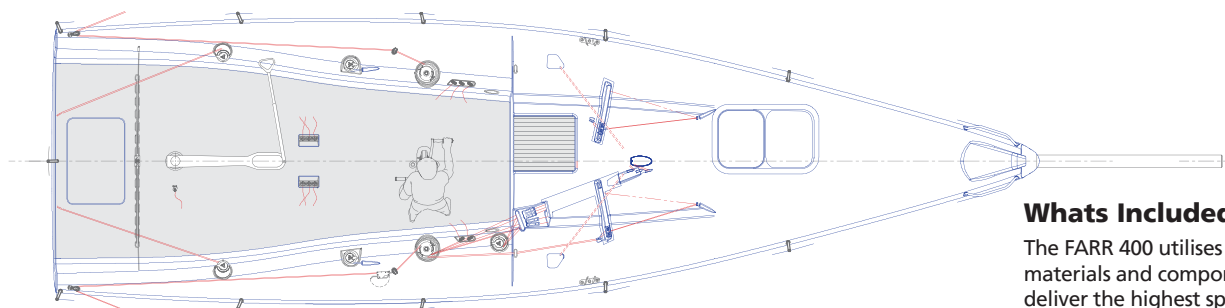
Smartpac 3 Smartpac Design SP/High Modulus **7**

SP MODULUS SP/High Modulus Infusion Resins and Core **8**

aero Tuff Luff Aero Foil **9**

spinlock Spinlock Clutches **10**

SouthernSpars Southern Spars Grand Prix Split Mast **11**



Whats Included

The FARR 400 utilises the latest materials and components to deliver the highest spec One Design so far.

Design Elements

Performance

- The carbon pedestal and two carbon primary winches are the heart of the FARR 400. These tools allow for TP52 style racing. The power and line speed that is generated by this combination allow for ultra-fast hoists, gybes, and douses.

Hull

- The full stem and forebody provide dynamic lift when sailing at high speed reflecting the latest in design supported by CFD research.
- Powerful stern sections incorporate a partial chine for improved high speed handling and reduced drag.
- Refined low drag hull form designed to operate comfortably at higher heel angles to maximize efficiency of the deep keel whilst still achieving high performance downwind.



Rig and Sail Plan

- Keel-stepped carbon mast and boom. Two sets of carbon spreaders with a 22 degree sweep angle.
- Powerful modern square head mainsail.
- Spinnaker inventory flown from retractable centerline sprit.
- Twin topmast backstays allow for control of mast and forestay tension in a broad range of sailing conditions.
- Split mast construction to permit transport within 40-foot container footprint.
- Carbon fibre standing rigging for weight savings, long service life and unrivalled performance.

Appendages

- Deep sailing draft of 9.51ft lifting to 6.50ft.
- Modern, CFD refined bulb with high L/D and squish ratios.
- Fabricated iron fin with composite fairing.
- Deep keel lifting by primary winches and pedestal.
- Single rudder complements beam of boat and simplifies layout.

Deck

- Aggressively designed deck for function and aesthetics.
- Aerodynamic and comfortable sheer radius detail.
- Generous oversized cockpit.
- Proven winch spacing and general layout based on GP42.
- Pedestal driven primary winches allows for:
 - Superior winch speed on asymmetric spinnaker gybes
 - Winch driven spinnaker hoists
 - Spinnaker takedown line drive system
 - Primary winch based keel lifting system

Construction

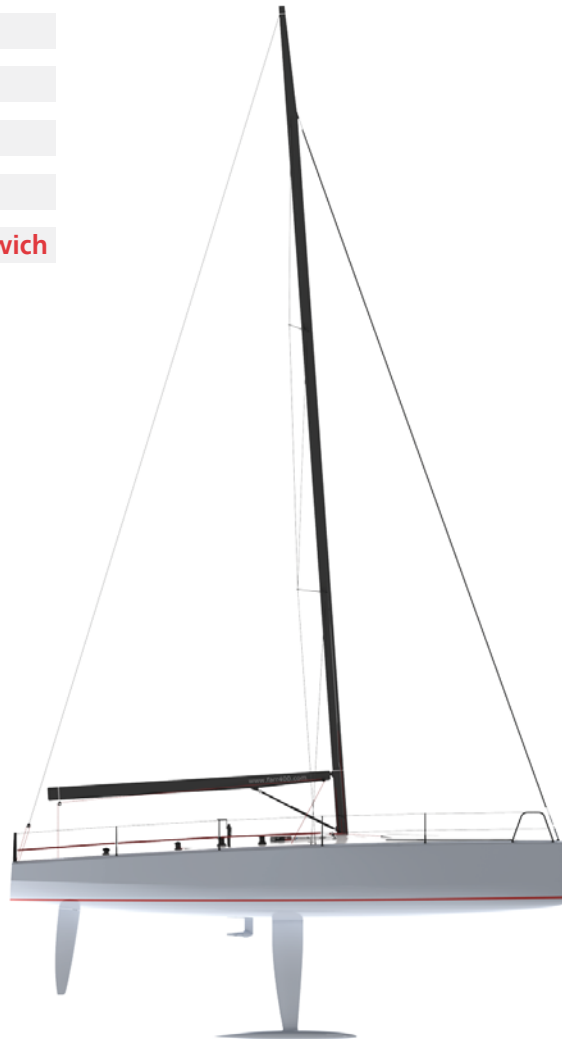
- The FARR 400 is built in carbon fibre and epoxy foam sandwich making it one of the first carbon production sailboats in the world.
- All major geometry is created by precision 5 axis milling which is usually only available for Grand Prix and America's Cup projects. This ensures that the highly optimized geometry of the hull, keel and rudder are carried through the production process and into the final design with consistently accurate tooling.
- Hull, deck and interior structure are fabricated with vacuum infusion technology to ensure high fibre volume ratios and reduce weight variation.
- Weight is strictly controlled using an SP/High Modulus Smartpac design.
- Composite stanchions, pushpit, and pulpit minimize weight. An aerofoil section pushpit reduces windage and creates improved aesthetics.



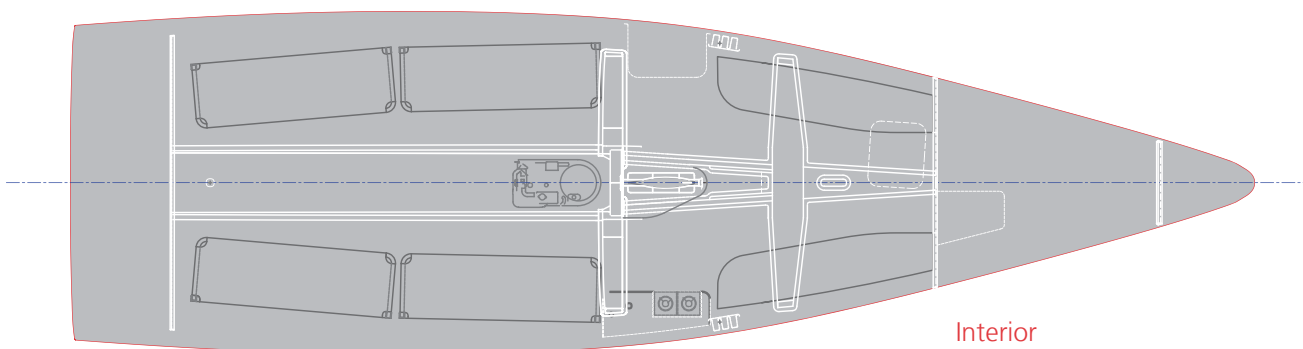
Yacht Specifications*

General		Sail Plan	
LOA (m/ft)	11.8/38.71'	I (m/ft)	15.6/51.18'
DWL (m/ft)	11.11/36.45'	J (m/ft)	4.45/14.60'
BEAM (max) (m/ft)	3.42/11.22'	P (m/ft)	16.15/52.99'
DRAFT (m/ft)	2.9/9.51' down	E (m/ft)	5.8/19.03'
DRAFT (keel up) (m/ft)	1.98/6.50' up	STL (m/ft)	6.82/22.38'
DISPLACEMENT (kg/lbs)	3920/8624	Sail Area Up m ² /ft ²	102/1098
BALLAST (kg/lbs)	2180/4796	Sail Area Down m ² /ft ²	235/2530
ENGINE (HP)	27 HP		
CREW No.	8		
IRC CERT	1.250		
ISAF OSR	CAT 2		
Construction	Carbon/Epoxy Sandwich		

* Technical details subject to change.



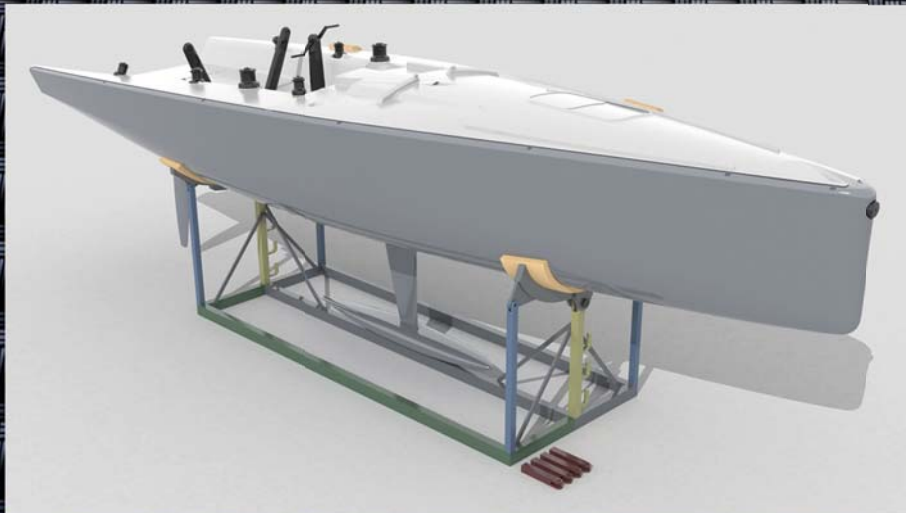
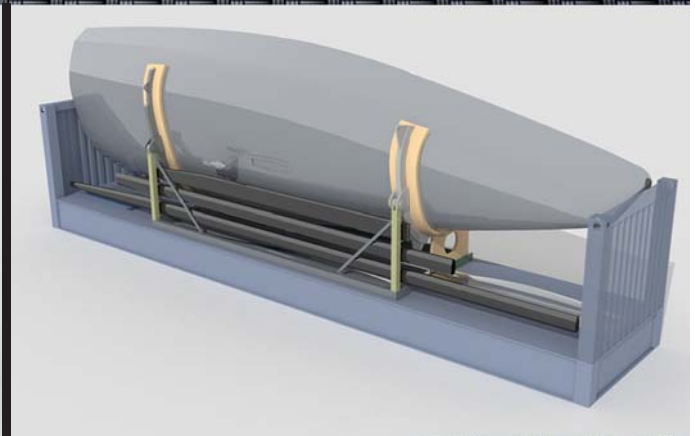
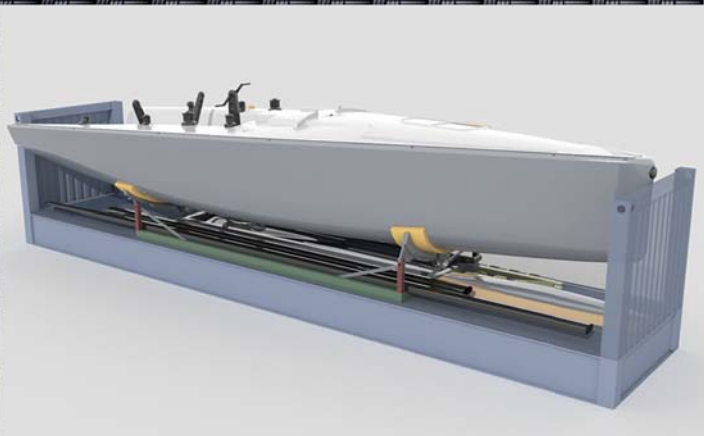
Naval Architect: Farr Yacht Design
 Manufacturer: Premier Composite Technologies



Transportation

The FARR 400 has been specifically designed to be shipped on a 40' flat rack container, allowing the owner to achieve huge cost savings.

- Beam of 3.42 m and length of 11.8m allows for economical delivery.
- Custom shipping concept with boat rotated approximately 80 degrees.
- Trailer keeps total height and width within limits of almost all countries without requiring expensive trailer permits (4.0 m high and 2.4 m wide). With wheels removed the trailer can be shipped on a flat rack container.
- Two-piece mast is supplied with a split to allow transport with hull within the 40' footprint.



Designers Comments

"The boat can be easily and inexpensively transported, clearly differentiating this 40 foot One Design class from others, promoting bigger fleet sizes and lower operating costs. The keel and rudder can be quickly removed. The overall beam and length are constrained to allow the hull to be tilted to fit within the dimensions of a 40 foot flat rack container for shipping, whether directly on the flat rack or on its own dedicated trailer on the flat rack. The boat can be transported on the road without exceeding driving restrictions in most regions, on its own dedicated trailer or with the flat rack on a truck or trailer. The carbon mast separates into two sections and all components fit completely within the transport system footprint". Farr Yacht Design



FARR[®] 400
ONE DESIGN

Farr Yacht Sales, Ltd.
613 Third Street,
Suite 22, Annapolis,
MD. 21403-0964,
U.S.A.

RBK-Yachting GmbH
Arno Kronenberg
Neubiberger Str. 57a
D-81737, München
Deutschland

Boat Sales International Ltd
Peter Morton
Hamble Point Marina
School Lane, Hamble
Hampshire, SO31 4NB
United Kingdom

AustralAsian Sales
Sydney,
Australia

Tel: +1 410 267-6550
Fax: +1 410 268-0553
info@farryachtsales.com
www.farryachtsales.com

Tel.: +49(0)89/673460-40
Fax: +49(0)89/673460-55
info@rbk-yachting.de
www.rbk-yachting.de

Tel: +44 (0)23 8045 7966
Fax: +44 (0)23 8045 7977
info@boatsales.co.uk
www.boatsales.co.uk

Tel: +61 414 500047
salesausnz@farr400.com
www.pct.ae